

KARNES ELECTRIC COOPERATIVE, INC.

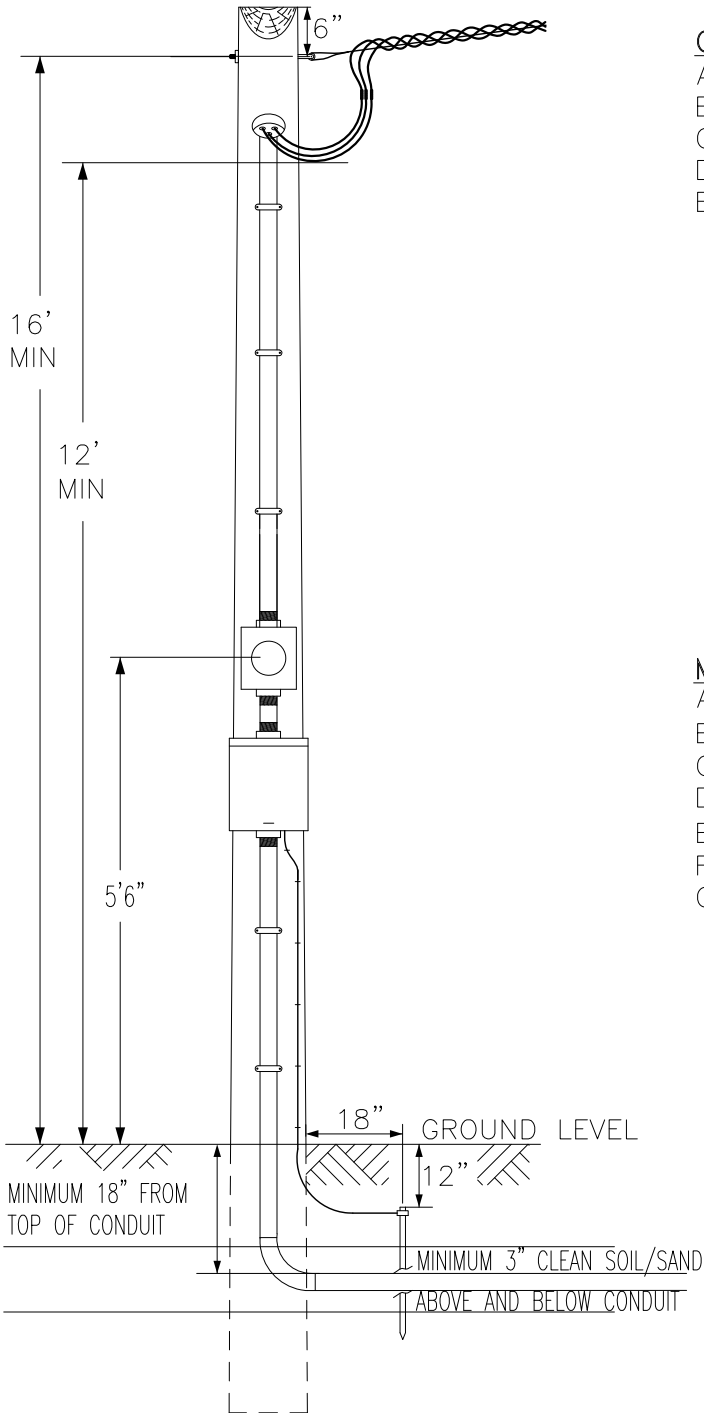
Karnes City Office (830)780-3952

Pleasanton Office (830)569-5538

Date: 10-31-17

200 AMPERE

120/240 VOLT SERVICE



COOPERATIVE FURNISHED, OWNED AND INSTALLED

- A. Pole
- B. Ground Rod and Ground Wire
- C. Service Attachment
- D. Conduit Loop
- E. Meter Base

MEMBER FURNISHED

- A. 200 Amp Breaker Box with Main Breaker.
- B. Metallic Nipple, Hub and Lock I Nuts, 2"
- C. Bell Bushing Wire Protector in All Conduit Openings.
- D. Disconnect Shall Be Grounded to Pole Ground.
- E. All Wire Shall Be Copper. Min. Size 2/0 Max. 4/0.
- F. Member Must go Underground out of Breaker Box.
- G. Member Shall Not Install Any Other Device on Pole.