

KARNES ELECTRIC COOPERATIVE, INC.

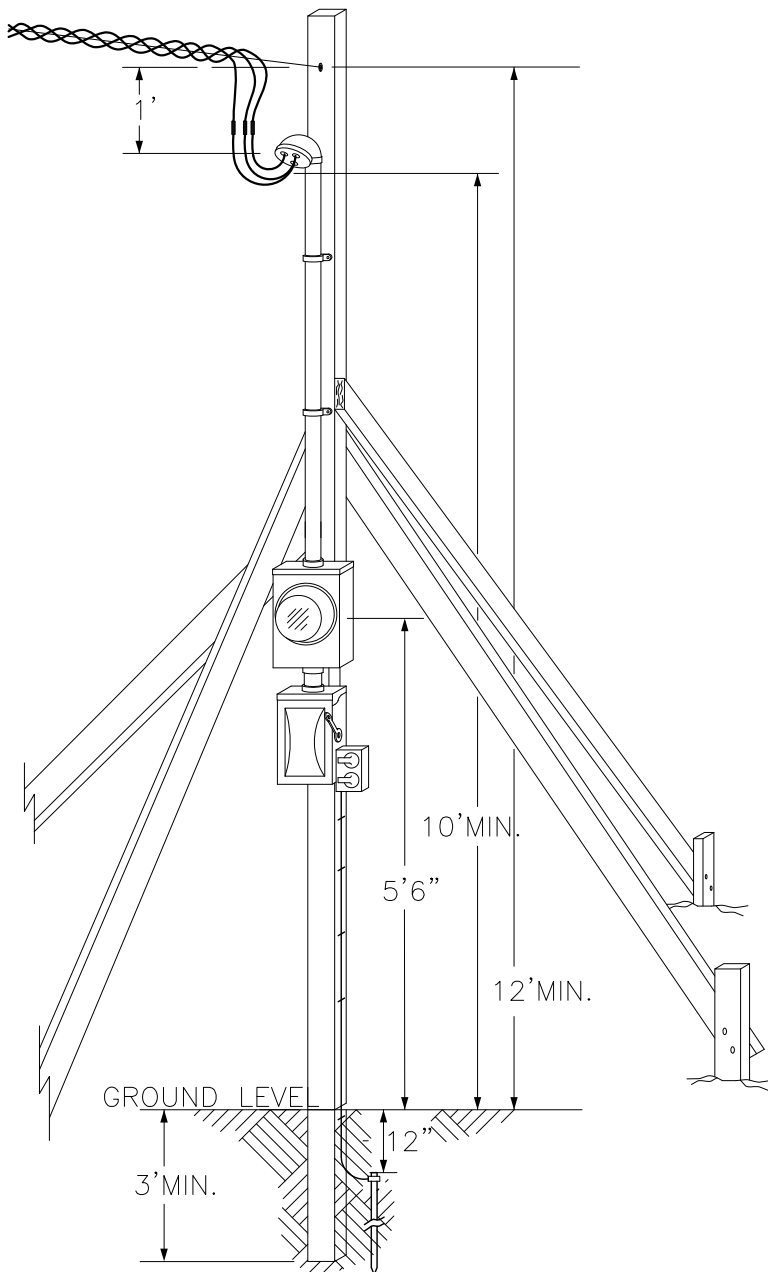
Main Office (830)780-3952

Pleasanton Office (830)569-5538

Date: 02-04-11

120/240 VOLT TEMPORARY METER INSTALLATION OVERHEAD SERVICE

*Refer to NEC for Clearance Requirements at or above 10 FT.



COOPERATIVE FURNISHED, OWNED AND INSTALLED

A. Connectors

MEMBER FURNISHED

- A. DO NOT Extend Weatherhead Above Top of Pole
- B. Straps Must Match Conduit Size. Maximum Strap Separation Shall Be 30"
- C. Service Drop Conductors, Service Attachments and Connectors, Furnished and Installed by KEC
- D. #6 AWG Copper Minimum 75C Rated Insulation on Neutral Must be Stripped Back 2 Inches or Marked with White Tape.
- E. 1 1/4" EMT, Galvanized, Rigid Aluminum or Schedule 40 Electrical Grade PVC
- F. Meter Base, Center of Meter Base Must Be Mounted.
- G. Weather Proof Receptacles with Approved Fault Protection per NEC.
- H. Approved Grounding Electrode and Clamp, Furnished and Installed by Customer.
(If Ground Rod is used it shall be 5/8" x 8' Copper or Galvanized and driven fully 12" below grade.)
- I. Nipple to Meter Socket Shall be Metal.
- J. #6 Copper Solid.
- K. 4"x4" Wood Mast Minimum.
- L. Belled Bushing Wire Protector in All Conduit Openings.
- M. Weather Proof Breaker Box, Minimum 18" Above Grade.
- N. 2"x4" Braces Attached with Lug Screws or 16 Penny Nails at 90 Degrees from each other.
- O. 2"x4" Stakes.

Note: Customer Shall Install & Maintain this Facility in a Safe Condition. It can be Left intact and Moved From Job Site. It Shall not be Moved while Energized.