

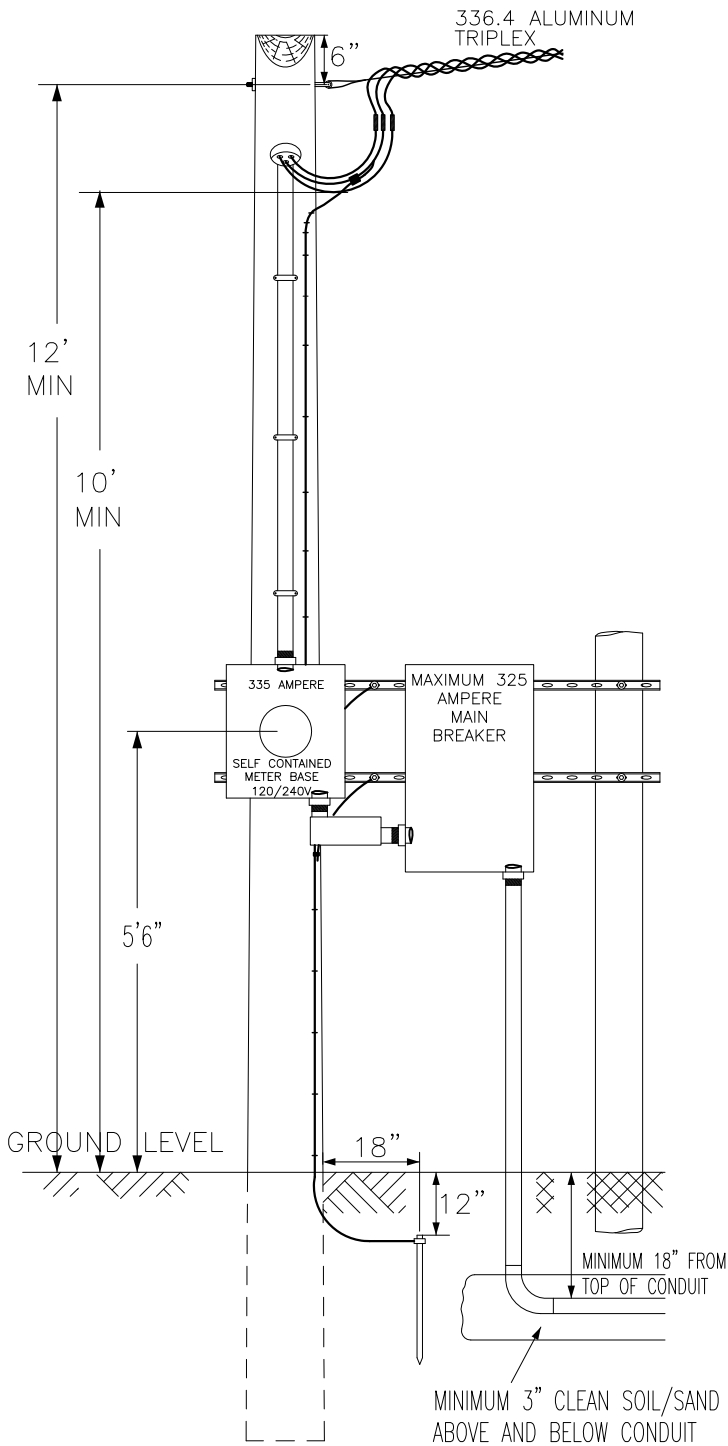
KARNES ELECTRIC COOPERATIVE, INC.

Main Office (830)780-3952

Pleasanton Office (830)569-5538

Date: 02-04-11

325 AMPERE 120/240 VOLT SERVICE
RESIDENTIAL/SMALL COMMERCIAL SERVICE



COOPERATIVE FURNISHED, OWNED AND INSTALLED

- A. Pole to Set Within 30' of Transformer Pole. (max.)
- B. Ground Rod and Ground Wire
- C. Service Wire

MEMBER FURNISHED

- A. Weatherhead
- B. Conduit Loop
- C. 350 MCM Copper Minimum with Neutral Marked in White
- D. 3' Slack in Drip Loop
- E. 325 Meter Base Approved by KEC
- F. All Conduit Shall Be Metal
- G. Belled Bushing Wire Protector in All Conduit Openings
- H. Galvanized Metal Channels Bonded to Pole Ground.
- I. Co-op Will Install Connectors Furnished by Member