

KARNES ELECTRIC COOPERATIVE, INC.

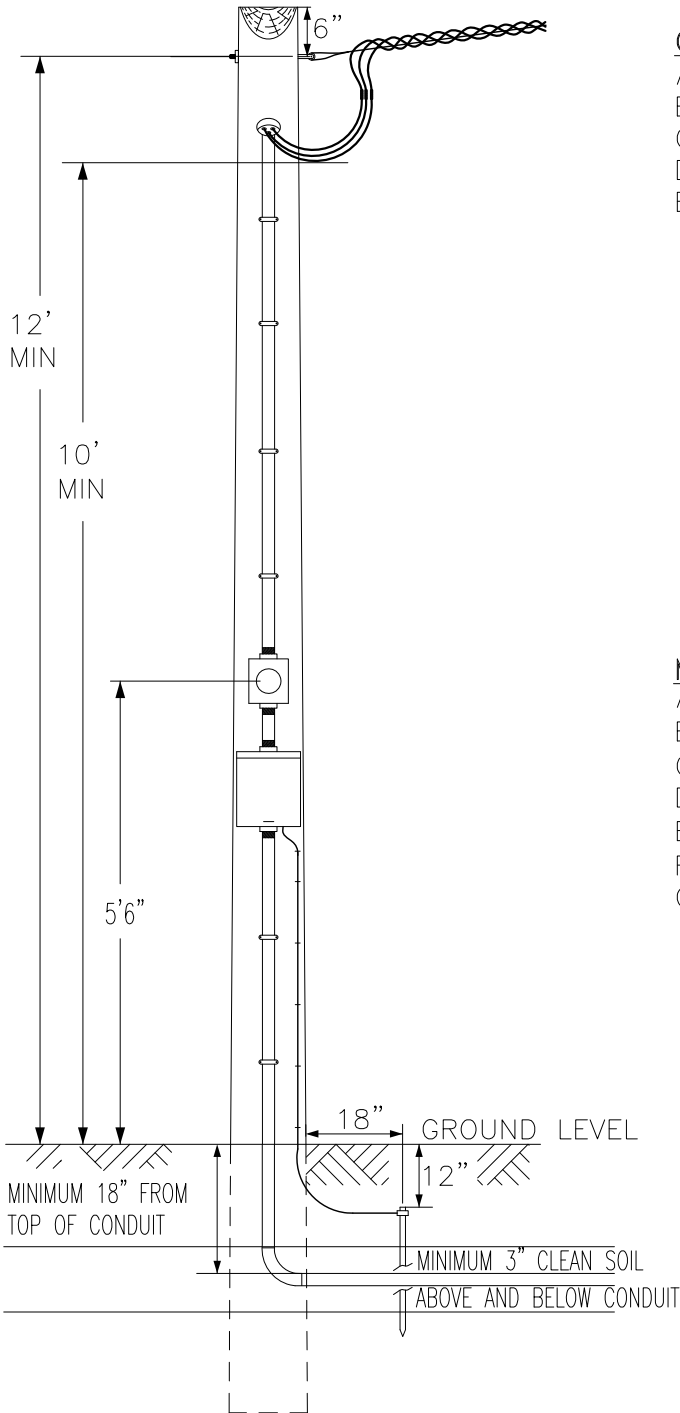
Main Office (830)780-3952

Pleasanton Office (830)569-5538

Date: 02-04-11

125 AMPERE

120/240 VOLT SERVICE



COOPERATIVE FURNISHED, OWNED AND INSTALLED

- A. Pole
- B. Ground Rod and Ground Wire
- C. Service Attachment
- D. Conduit Loop
- E. Meter Base

MEMBER FURNISHED

- A. Breaker Box with Main Breaker 125 Amp.
- B. Metallic Nipple, Hub and Lock Nuts 1 1/2" or 2".
- C. Bell Bushing Wire Protector in all Conduit Openings.
- D. Disconnect Shall Be Grounded to Pole Ground
- E. All Wire Shall Be Copper. Min. Size 1/0
- F. Member Must go Underground out of Breaker Box.
- G. Member Shall Not Install Any Other Device on Pole.